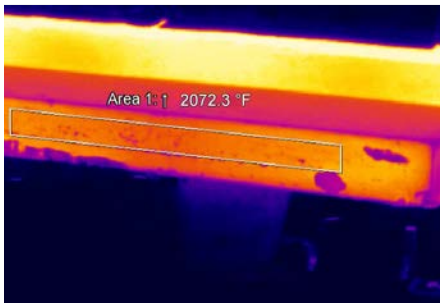
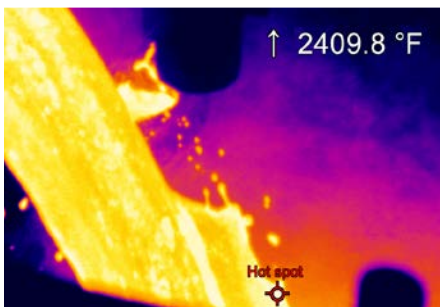


**Short wavelength  
and ultra compact  
infrared camera**



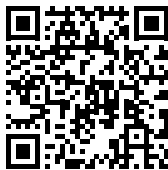
**Features:**

- Wide measurement range from 900 °C to 2450 °C (1652 °F to 4442 °F) without sub-ranges
- Ideal for almost all NIR and CO2 laser processing applications due to spectral response at 540 nm
- Special wavelength range of 500–540 nm minimizes errors due to uncertainty of emissivity
- High dynamic CMOS detector with up to 764 x 480 pixels resolution
- Up to 1 kHz frame rate for fast processes
- Real-time analog output with 1 ms response time
- Extensive software package and SDK included



**Technical specifications**

Optical resolution (switchable) / Frame rate	764 x 480 pixels @ 32 Hz / 382 x 288 pixels @ 80 Hz (switchable to 27 Hz) 72 x 56 pixels @ 1 kHz <sup>1)</sup> / 764 x 8 pixels @ 1 kHz (fast linescanning mode) <sup>1)</sup>	
Detector	CMOS (15 µm x 15 µm)	
Spectral range	500 – 540 nm	
Temperature range	900 °C ... 2450 °C (27 Hz mode) (1652 °F ... 4442 °F) 950 °C ... 2450 °C (32 / 80 Hz mode) (1742 °F ... 4442 °F) 1100 °C ... 2450 °C (1 kHz mode) (2012 °F ... 4442 °F)	
Optics	<b>FOV @ 764 x 480 px:</b> 27° x 17° (f = 25 mm [1.0 in])	<b>FOV @ 382 x 288 px:</b> 14° x 11° (f = 25 mm [1.0 in])
Thermal sensitivity (NETD)	< 2 K (1400 °C/ 2552 °F/ 27 Hz to 1 kHz) <sup>2)</sup>	
Accuracy	+/- 1 % of reading (<2000 °C/ 3632 °F)/ +/- 1,5 % of reading (>2000 °C/ 3632 °F) <sup>3)</sup>	
PC interface	USB 2.0 / optional USB to GigE (PoE) conversion	
High speed analog output (@ 1 kHz mode)	0 – 10 V real time output of 8 x 8 pixels (1 ms response time)	
Standard process interface (PIF)	0 – 10 V input, digital input (max. 24 V), 0 – 10 V output	
Industrial process interface (PIF)	2x 0 – 10 V inputs, digital input (max. 24 V), 3x 0/4 – 20 ma outputs, 3x relay (0 – 30 V/ 400 mA), fail-safe relays	
Cable length (USB)	1 m (standard), 5 m, 10 m, 20 m (3.3 ft (standard), 16.4 ft, 32.8ft, 65.6 ft) 5 / 10 m (16.4 / 32.8 ft) also available as HT cable (180 or 250 °C [356 or 482 °F])	
Ambient temperature	5 °C ... 50 °C (41 °F ... 122 °F)	
Storage temperature	–40 °C ... 70 °C (–40 °F ... 158 °F)	
Relative humidity	20 – 80 %, non-condensing	
Enclosure (size / rating)	46 x 56 x 88 - 129 mm (1.8 x 2.2 x 3.5 - 5.1 in) (depending on lens + focus position) / IP 67 (NEMA 4)	
Weight	245 - 311 g (8.46 - 10.97 oz), depending on lens	
Shock / Vibration <sup>4)</sup>	IEC 60068-2-27 (25G und 50G), IEC 60068-2-6 (sinus shaped), IEC 60068-2-64 (broadband noise)	
Tripod mount	¼ – 20 UNC	
Power supply	via USB	
Software	optris PIX Connect / IRmobile Android App	
Scope of supply (standard)	<ul style="list-style-type: none"> <li>• USB camera with 1 lens</li> <li>• USB cable (1 m) (3.3 ft)</li> <li>• PIF cable (1 m) (3.3 ft) incl. terminal block</li> <li>• Aluminum case</li> </ul>	<ul style="list-style-type: none"> <li>• Table tripod</li> <li>• Software package optris PIX Connect</li> <li>• Optional: CoolingJacket, High temperature cable, protective window</li> </ul>

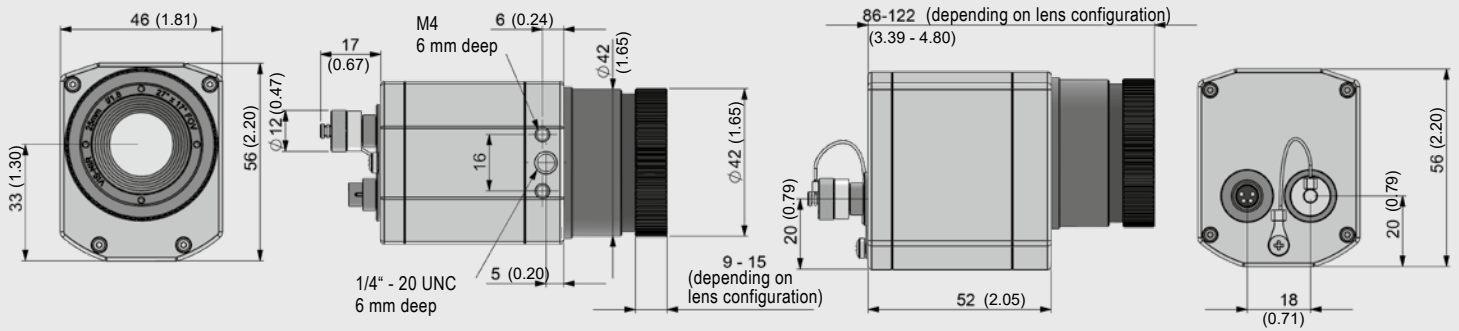


For further information as well as the product configurator, please visit:  
[www.optris.com/thermal-imager-optris-pi-05m](http://www.optris.com/thermal-imager-optris-pi-05m)

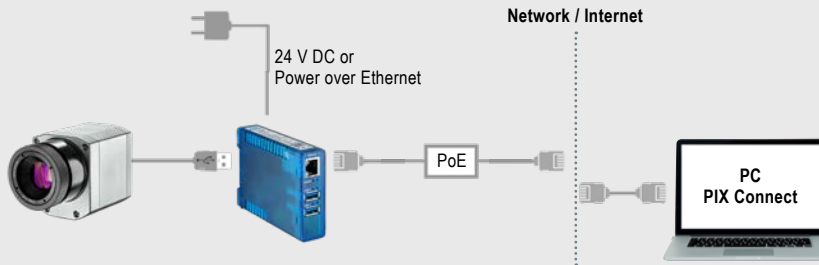
<sup>1)</sup> Can be placed anywhere within the full FOV      <sup>2)</sup> < 4 K (>1400 °C/ 2552 °F) 27 Hz to 1 kHz)  
<sup>3)</sup> for 1 kHz mode: +/- 1,5 % of reading (<2000 °C/ 3632 °F)/ +/- 2 % of reading (>2000 °C/ 3632 °F)  
<sup>4)</sup> For more details see operator's manual

# optris PI 05M

Dimensions in mm (in)



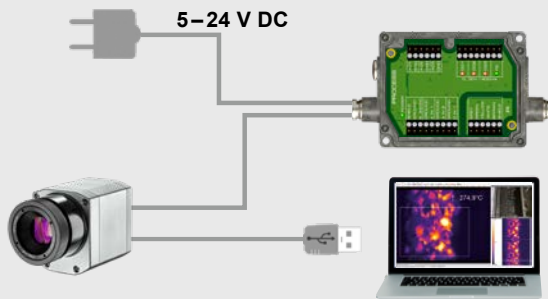
Process integration



## optris USB-Server Gigabit 2.0

- Network connection via Gigabit Ethernet
- Full TCP/IP support incl. routing and DNS
- Two independent USB ports
- Power via Ethernet or external voltage supply at 24 – 48 V DC
- Galvanic isolation 500 V<sub>RMS</sub>
- Remotely configurable via web based management

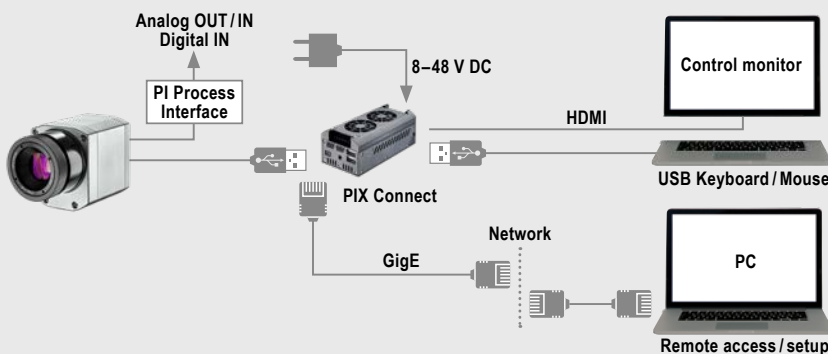
For further information please visit [www.optris.com/usb-server-industry-isochron](http://www.optris.com/usb-server-industry-isochron)



## optris Industrial process interface

- Use of camera for process monitoring in industrial environments
- Continuous fail safe monitoring of imager, software and cable connections
- 3 analog/ alarm outputs, 2 analog inputs, 1 digital input, 3 alarm relays, 1 fail-safe relay

For further information please visit [www.optris.com/industrial-process-interface](http://www.optris.com/industrial-process-interface)



## optris PI NetBox

- Miniature PC as add-on to the PI series for stand-alone system
- Integrated hardware and software watchdog
- Connections: 3x USB 2.0, 1x Mini-USB 2.0, Micro-HDMI, Ethernet (Gigabit Ethernet), micro SDHC / SDXC card

For further information please visit [www.optris.com/pi-netbox](http://www.optris.com/pi-netbox)